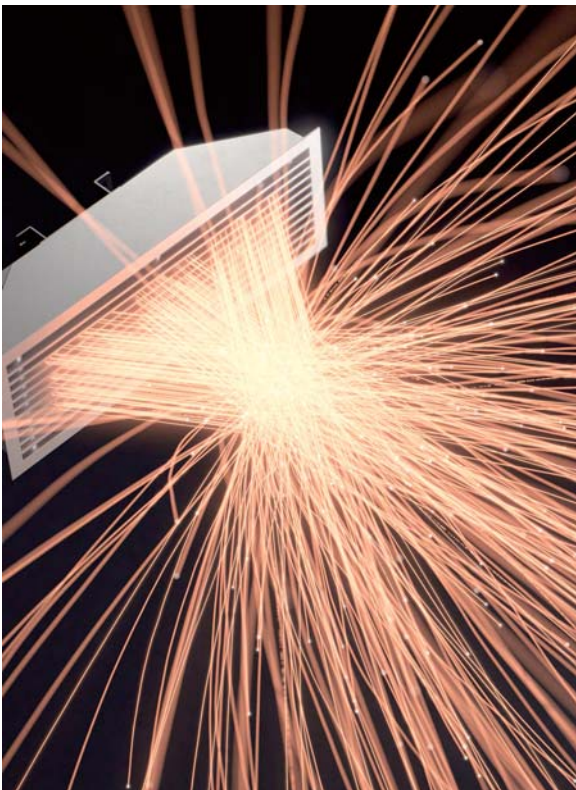
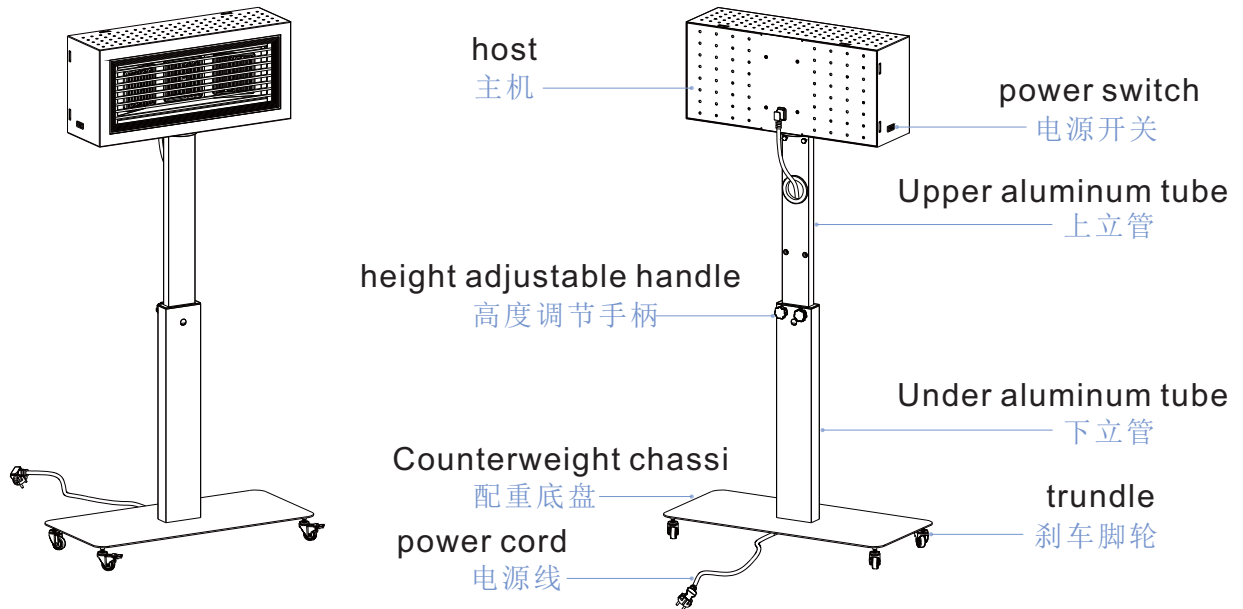


Ultra-efficient mobile heating system for the 21st century

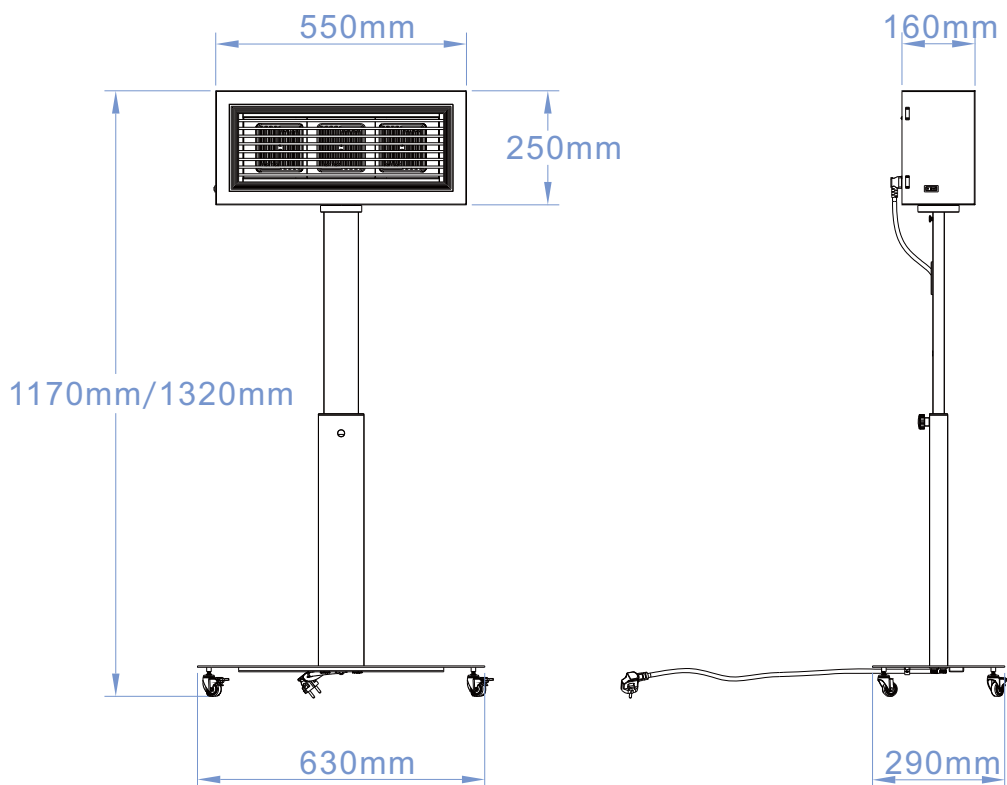
- ◆ Infrared radiation healthy heat source
- ◆ Portable heat source
- ◆ High energy efficiency
- ◆ Two speed power consumption control
- ◆ Overheating protection
- ◆ Dumping protection
- ◆ Height Adjustable System
- ◆ Safety certificate



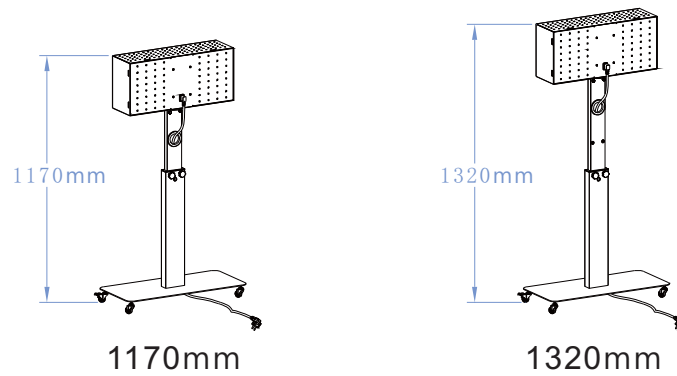
Part description



System size

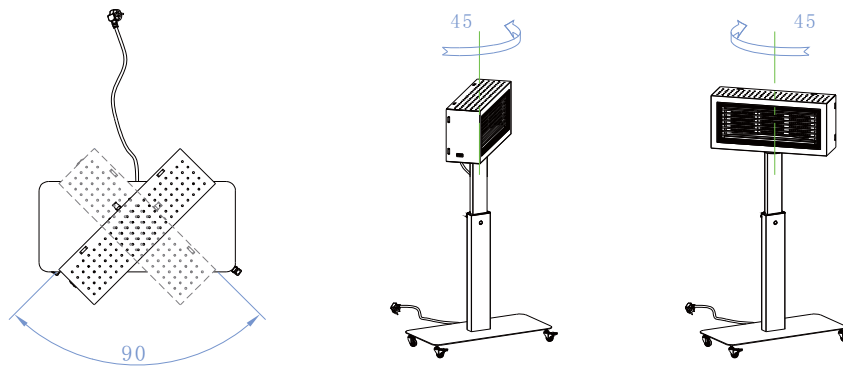


Height setting



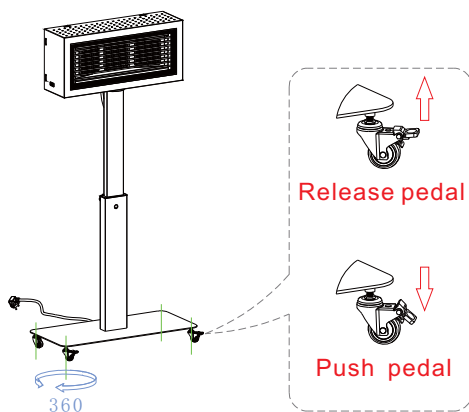
Loosen the handle screw and adjust the position of the riser hole to adjust the height of the machine: 1170mm/1320mm.

Angle modulation



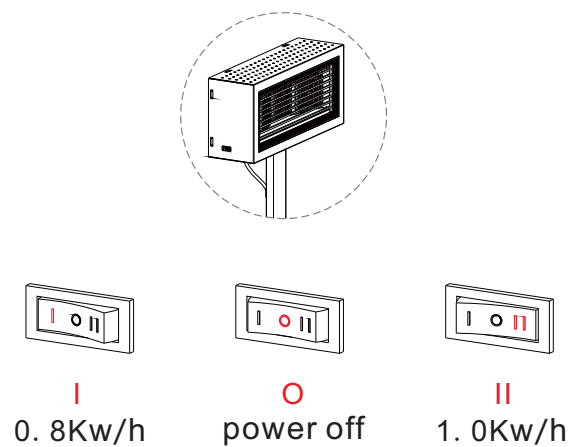
The host can be stepless adjusted relative to the support Angle, adjustable Angle range: $-45 \sim 45$.

Brake function



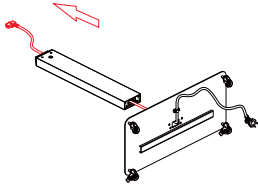
Release the caster brake pedal to move the heater. Press the brake pedal to position the heater.

Power Performance Scaling

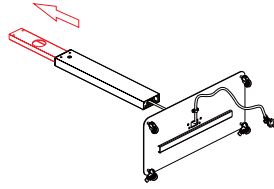


Adjust device power consumption

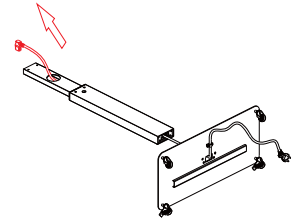
Installation instructions



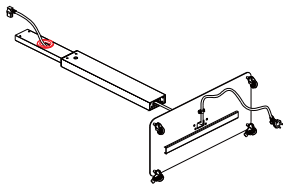
1. Thread the power cord through the aluminum tube.



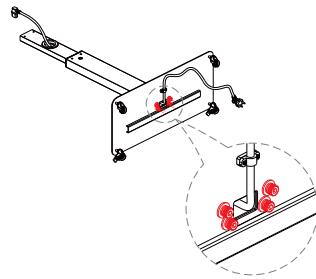
2. Pull out the inner aluminum tube.



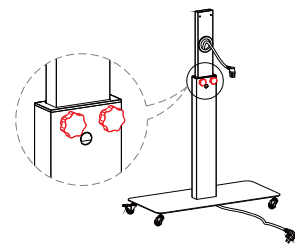
3. Pull the power cable out of the inner aluminum tube through the cable hole.



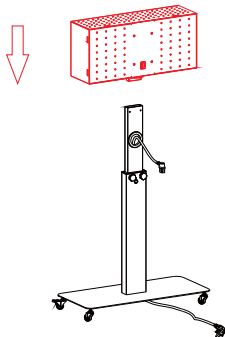
4. Install the wire hole guard coil.



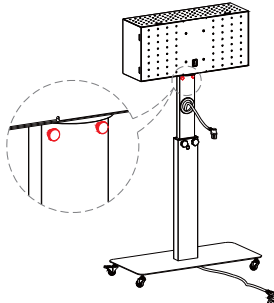
5. Lock the chassis screws.



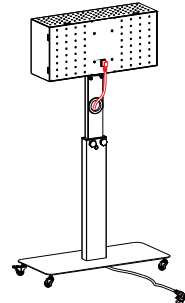
6. Adjust the height of the inner aluminum tube and lock the handle.



7. Clamp the host into the top of the inner aluminum tube.



8. Lock the host.



9. Plug the power cable into the socket hole of the host.

Technical parameters

Name	Portable infrared heater		
Model	HL1300-3230ME		
Input	AC230V 50/60Hz		
Rated power	1300W		
Size	630*290*1170mm/1320mm (height-adjustable)		
Net weight / Gross weight	13.5Kg / 14.7Kg		
Package size	680*340*280mm		
Power Performance Scaling	I: 0.8Kw/h	II: 1.0Kw/h	O: power off
Standard certification	CE 		

